



BATTIPAVTM

MACCHINE PER EDILIZIA | MACHINES FOR BUILDING

LEGGERA

PROFESSIONAL MANUAL TILE CUTTER

ESSENTIAL LOOK

Its naked look preserves everything you need to cut with top accuracy.

PACKAGING

Multilingual flexographed packaging.

TRANSPORT

Very easy to carry, also with the soft case (optional)

| | Art. 61300E | Art. 6900E | Art. 6750E | Art. 6601E | Art. 6401E |
|---------------------------------|---------------------|---------------------|---------------------|---------------------|--------------------|
| CUTTING LENGTH | 1370 mm | 920 mm | 780 mm | 670 mm | 490 mm |
| MAX SIZE TILE FOR DIAGONAL CUTS | 965x965 mm | 650x650 mm | 550x550 mm | 470x470 mm | 345x345 mm |
| CUTTING THICKNESS | 5 - 15 mm | | | | |
| CUTTING WHEEL | Ø 15 x 6 x 1,5 mm | | | | |
| PACKING DIMENSION | 1704x295 x h 280 mm | 1260x295 x h 280 mm | 1114x295 x h 280 mm | 1004x295 x h 280 mm | 830x295 x h 280 mm |
| PIECES ON PALLET | 14 | 21 | | 28 | |
| PALLET DIMENSION | 72x175x208 cm | 90x120x206 cm | 90x127x206 cm | 100x120x208 cm | 82x120x208 cm |
| NET WEIGHT | 12,6 Kg | 9,6 Kg | 8,7 Kg | 6,6 Kg | 5,6 Kg |



Art. K25

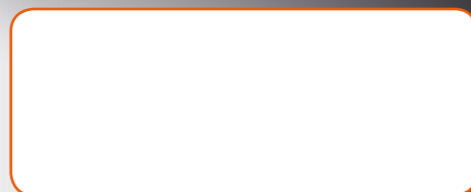


BATTIPAVTM

MACCHINE PER EDILIZIA | MACHINES FOR BUILDING

Z. i. 2 - Via Cavatorta, 6/1 | 48033 Cotignola (Ra) | ITALY
 Tel. +39 0545 40004 | Fax +39 0545 41724
 www.battipav.com | sales@battipav.com

AUTHORIZED DEALER:



October 2018

APPLICATION

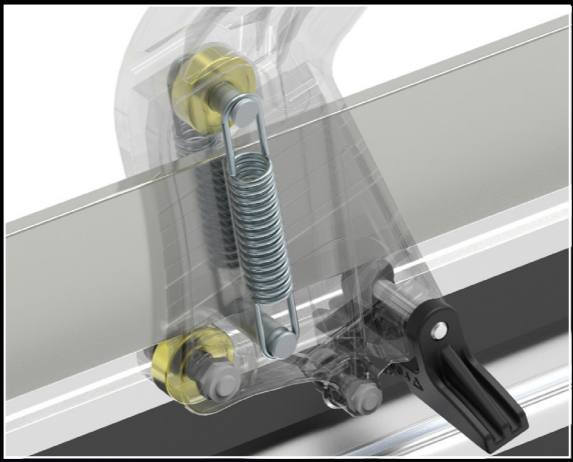
Built to cut single-double fired ceramic and porcelain stoneware tiles



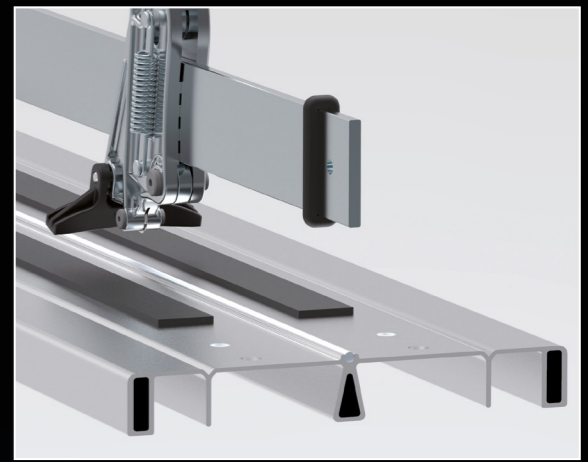
QUICK START SYSTEM
The carriage is provided with springs that makes the handle always ready to cut.



ACCURACY AND LIGHTNESS



CARRIAGE
The carriage in aluminium is equipped with two ball-bearings for a perfect sliding and top precision.



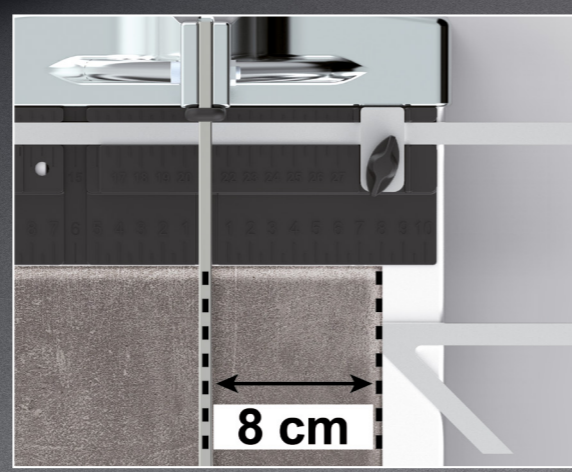
STRUCTURE
Strong body made in aluminium draw-plate to get rigidity and lightness at the same time.

PUSHING CUTTING SYSTEM

ADJUSTABLE SUPPORT FOR MULTI-CUTS



100% ALUMINIUM



STRAIGHT CUTS
Square ruler with direct reading for **straight cuts**.



DIAGONAL CUTS
Square ruler with direct reading for **diagonal cuts**.